

# The A-Class Saloon



Mercedes-Benz



# Ready for a new generation.

A perfect performance when stationary. A truly lasting impression as it accelerates away. Setting its own standards as of now. Surging ahead where others fall behind. The new-generation A-Class.

**FOR THE BEST IN EVERY FORMAT.**



Experience the new-generation A-Class in glorious HD. With the Mercedes-Benz brochure app for the iPad® and with the Digital Owner's Manual from "Mercedes-Benz Guides" for the iPhone®. Both apps feature a host of films and additional content and are available free of charge from the iTunes Store®.

## Statements:

### **2 | Mercedes-Benz A 250 4MATIC**

#### **polar silver metallic**

AMG Line design and equipment line, AMG light-alloy wheels painted black with a high-sheen finish, AMG Exclusive package, black RED CUT leather upholstery, carbon-fibre-look trim

### **12 | Mercedes-Benz A 200 d**

#### **elbaite green metallic**

Style design and equipment line, Night package, light-alloy wheels painted black with a high-sheen finish, black/green fabric/ARTICO man-made leather upholstery, honeycomb-look trim

### **20 | Mercedes-AMG A 45 4MATIC**

#### **jupiter red**

AMG Night package, AMG Aerodynamics package, AMG cross-spoke light-alloy wheels, AMG Exclusive package, black RED CUT leather upholstery, carbon-fibre-look trim, AMG performance seats

The illustrations may include optional extras and accessories which do not form part of the standard specification.

## State of the art:

**30** | Mercedes me

**36** | Multimedia systems

**37** | Mercedes connect me

**38** | COLLISION PREVENTION ASSIST PLUS

**39** | Integral safety concept

**40** | DYNAMIC SELECT

**41** | Engines

**42** | A 250 Sport and A 250 Sport 4MATIC

**44** | Mercedes-AMG A 45 4MATIC

**48** | Equipment and packages

**58** | Optional extras

**59** | Genuine accessories

**60** | Wheels

**62** | Technical data and dimensions

**65** | Upholstery and paintwork

What's the secret to striking the right chord?  
Making sure it's perfectly in tune. What's  
better than being inspired? Being inspirational.  
Finding your own way is no easy task – but  
it can be incredible fun. With the new-generation  
A-Class. Wider, sportier and feistier looking  
than ever. Ready for new colours, new forms,  
new ideas?

# The zeitgeist?

Overtaken ages ago.





The epitome of  
a new beginning.










One switch. Four personalities. Comfort, Sport, Eco or Individual – everything's possible. In next to no time with the DYNAMIC SELECT switch. One click is all it takes to find driving dynamics to suit your mood. Or the road. Or the weather. Come what may, the new-generation A-Class is already here.

# Click. Kick.



Adept at not getting too close.

A man with a beard and long hair, wearing a white shirt, is driving a car. He is smiling and looking towards a woman in the passenger seat. The woman has long brown hair and is wearing a red top. She is also smiling and looking at the man. The car's interior, including the steering wheel and dashboard, is visible. The scene is brightly lit, suggesting daytime.

Nothing comes (too) close if you can keep your distance. That's how it is with safety today. And that's how Mercedes-Benz Intelligent Drive works: innovative assistance systems that warn the driver – or intervene themselves – when they detect an emergency situation. More extensively and highly developed than ever before in this class of car.





# Centre of attention – from the comfort of your seat.

It's impressive how the new-generation A-Class deals with so much attention. It simply gives it back. With an interior that provides information at eye level and functions that are just an intuition away. Responding to your every touch as you enjoy how it all feels.



Eye contact plays a big part in the new-generation A-Class, too. And it's hard to look away. From its confident aura and its style – the spirit of a new generation. Follow it. Give your dreams free rein.





Object of **desire.**





And fulfilment.



# Leaves its mark

on your eyes as well as your mind.



A sea of expressionistic elbaite green. So compellingly irresistible that it takes even the air's breath away. The A-Class has the best drag coefficient ( $c_d$  value) in its segment. Every line and every surface has been aerodynamically optimised. It doesn't just look captivatingly dynamic, it also reduces fuel consumption and driving noise.



# Dock and drive.

Life without a smartphone? Unimaginable. The new-generation A-Class is a perfect base for your data. Thanks to Apple® CarPlay® or MirrorLink® many of your smartphone screen's contents can be mirrored on the Media Display. Numerous smartphone functions – including navigation, music and messages – can then be controlled through the car. It looks like exciting times are ahead.



Looks the part.  
Acts the part.

AMG. Three letters. One league of its own. The Mercedes-AMG A 45 4MATIC pulls at the heartstrings. Each AMG detail is honed for high performance, each line a statement of intent. The optional AMG Aerodynamics package includes additional black flics on the front apron and an AMG rear aerofoil. For more downforce. And a more aggressive stance.





The Mercedes-AMG A 45 4MATIC is home to the world's most powerful 4-cylinder production engine. With a soundtrack to match. Each forceful thrust is acknowledged by a sonorous roar from the AMG Sport exhaust system whilst the optional AMG RIDE CONTROL sports suspension coaxes the car around every bend with the utmost skill and precision. Assuredly and directly, just above the tarmac.

You can tell alpha leaders by their  
**roar.**





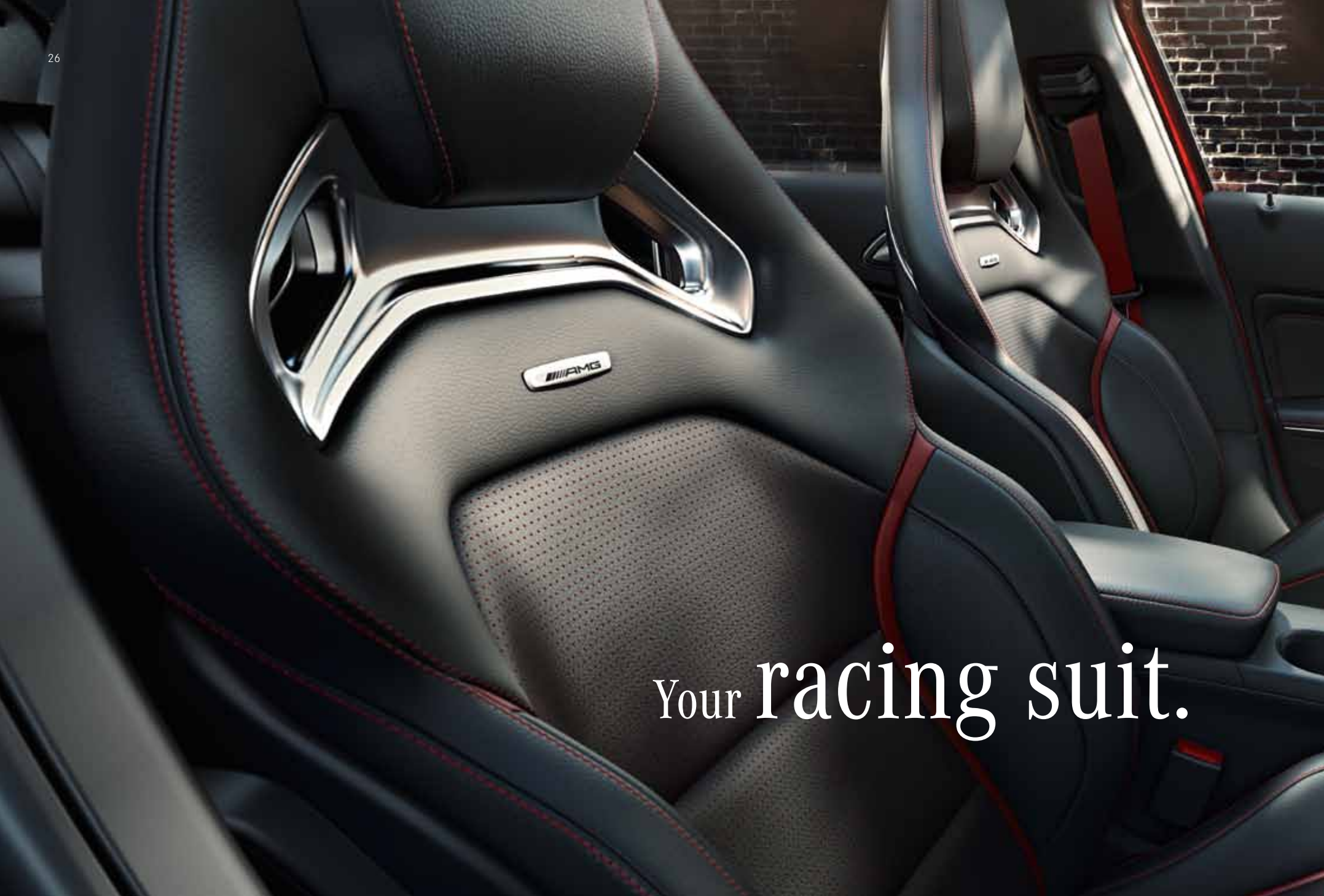




# Red

means stop. And hold your breath.





Your racing suit.



The interior of the Mercedes-AMG A 45 4MATIC is a force field. Customised for adrenaline. Released the moment your fingertips touch the shift paddles. And the calm becomes a storm. One in which the acceleration presses you back into the optional AMG performance seats. Before catapulting you into a whole new world of feeling and emotion. The control centre: the AMG DRIVE UNIT, including AMG DYNAMIC SELECT Controller for selecting from up to five different driving modes.

## What makes a car a Mercedes?

Deep-rooted traditions: in our case, it is innovative traditions that run deep. We have continually gone down previously uncharted avenues. Milestone by milestone. These ventures spawned the first vehicle with a crumple zone, the first ABS, the first diesel passenger car. The first car. But rather than dwelling on the past, let us look to the future.

**Mercedes-Benz Intelligent Drive** – on the road to accident-free driving. We develop intelligent assistance systems which actively support the driver and noticeably relieve their workload. They monitor and analyse the vehicle's surroundings and handling characteristics – and warn the driver if they identify any critical situations. When necessary, some of the systems are able to intervene to take corrective action. Potential dangers are identified earlier than ever – and ever more frequently avoided as a result. Discover the fascinating world of Mercedes-Benz Intelligent Drive at [www.mercedes-benz-intelligent-drive.com](http://www.mercedes-benz-intelligent-drive.com)

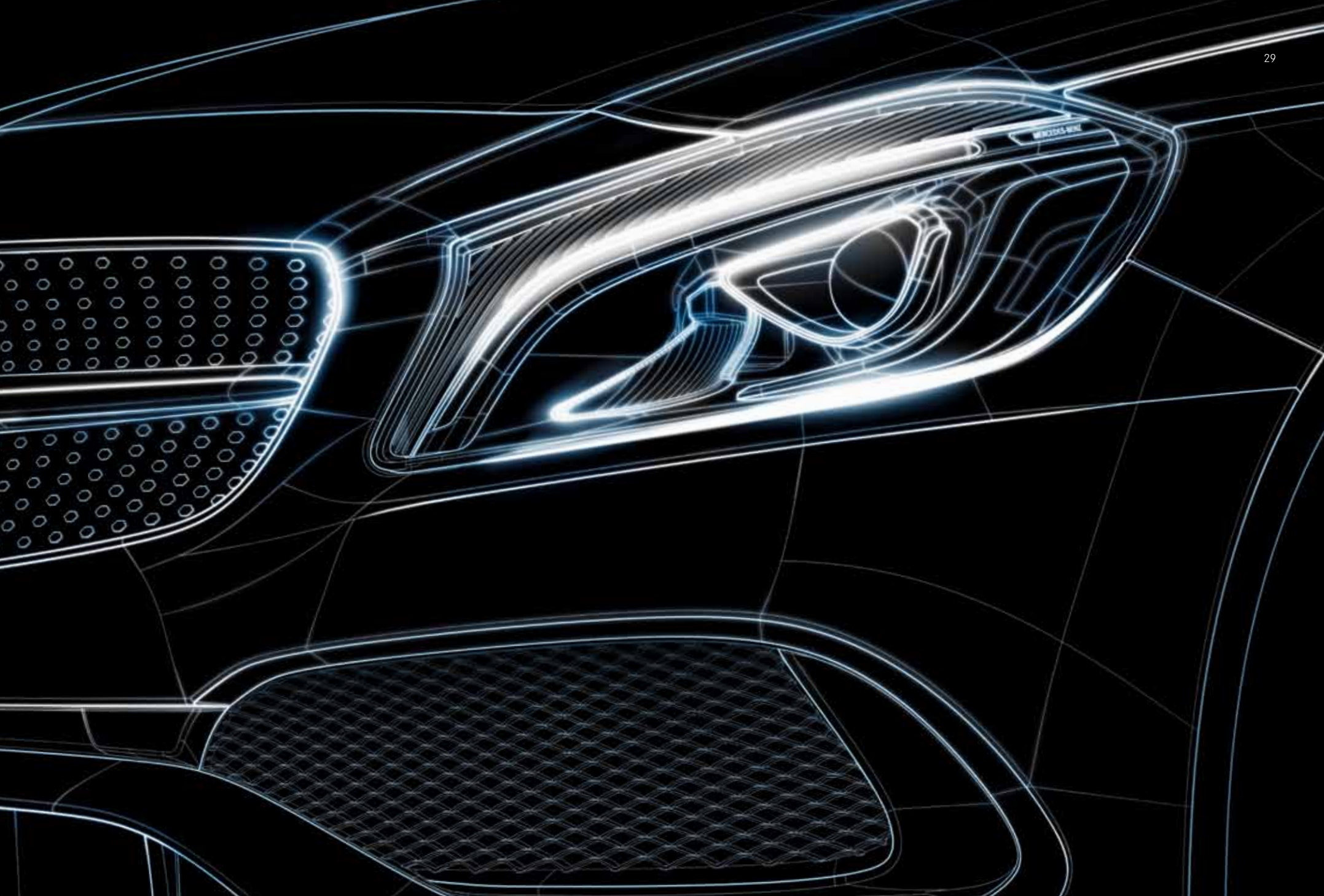
**BlueEFFICIENCY** – our vision of emission-free driving. Sustainability is a big word to which we lend real meaning in all that we do, down to the smallest details. From minimising the environmental impact of our production operations to alternative drive configurations.

### 30! years 4MATIC

**4MATIC** – driven by new challenges, the vision of optimum traction led the Mercedes-Benz engineers to the International Motor Show in Frankfurt. That is where, in 1985, they unveiled 4MATIC, an innovative traction system working with state-of-the-art microelectronics and hydraulics. Just two years later it entered series production in the E-Class. It has continued its triumphal advance ever since in virtually all model series. And on every terrain. 75 models are now out on the road with 4MATIC and it is tailor-made for each class. Comfortable and efficiently configured for the compact class, right through to extremely sporty for the Mercedes-AMG performance models. For more safety and an intensive driving experience in every single moment.

As you can see, we have major goals in our sights. And what could be better than seeing these aims achieved whilst on a long drive in a Mercedes?







## Our next great innovation revolves around you.

Prepare to be inspired, surprised and thrilled by new services, products and experiences at [www.mercedes.me](http://www.mercedes.me). You are warmly invited to check out our theme stores in major cities such as Berlin, Hamburg, Munich, Paris or Tokyo.







## Mercedes me. Welcome to your Mercedes-Benz world.

You have new questions, Mercedes-Benz has a new answer for you: Mercedes me. Your point of access to a fascinating world of personalised services from Mercedes-Benz. Offering innovative, individualised mobility, connectivity, finance and other services, as well as special brand experiences. New, simple and cutting-edge: [www.mercedes.me](http://www.mercedes.me)

The new portal is open for you now – on your smartphone, tablet or PC. Climb aboard and let's shape tomorrow's world together.



**Mercedes connect me** is all about networking the vehicle with the driver – and more besides: the car is becoming part of the way we live, providing added comfort as well as the reassurance of being permanently connected, even while on the move. Mercedes connect me includes Standard Services, which are able to provide you with automatic support in the event of a breakdown or an accident, and Remote Online Services – the option enabling vehicle settings to be carried out by smartphone.



## Mercedes finance *me*

**Mercedes finance me** offers you various routes to your vehicle of choice – by way of financing or leasing, for example. Daimler Financial Services will help you to identify which solution is best suited to you and what sort of insurance best meets your needs. Our leasing products not only enable you to drive the latest models at all times. You also enjoy maximum flexibility, as you pay not for acquisition of the vehicle, but only for its use. This also results in attractive monthly instalments. Our financing arrange-

ments enable you to pay for your vehicle of choice in a way that suits your personal budget. You can tailor your monthly instalments to your needs by deciding on an appropriate down-payment and term for your contract. Our car insurance solutions offer reliable protection for your budget and your vehicle. Any repair work that may be necessary will always be carried out by qualified specialists in accordance with the manufacturer's specifications.

## Mercedes assist *me*

**Mercedes assist me** makes easy work of organising maintenance for your vehicle, providing a convenient online means of locating a Mercedes-Benz dealer in your neighbourhood and arranging a service appointment. The digital service report keeps you up to date on the current status of service work at all times. Our Service Contracts are the key to motoring without any worries. They offer you a reliable basis for long-term planning and transparency with regard to due items of maintenance work<sup>1</sup>. Your authorised

Mercedes-Benz dealer will be happy to draw up an individual offer for you. Should you nevertheless require on-the-spot assistance due to a breakdown, an accident, a minor mishap or vandalism, you can rely on swift help from Mobilo<sup>2</sup>. You are entitled to on-the-spot services, a replacement vehicle, towing or hotel accommodation for one night – for a period of up to 30 years in over 40 countries throughout Europe. And whenever you need assistance, you can reach us free of charge throughout Europe on 00800 1 777 7777<sup>3</sup>.

## Mercedes move *me*

**Mercedes move me** offers access to the intelligent mobility solution moovel: this mobility app pools the offerings from various mobility providers to find the ideal route from A to B. car2go is the pioneer and market leader worldwide in free-floating car sharing, and car2go black stands for smartphone-based car sharing with comfortable Mercedes-Benz B-Class vehicles. The smartphone app Park2gether makes it easier for you to find a parking space.

## Mercedes inspire *me*

**Mercedes inspire me** offers special brand experiences and an opportunity to engage in an inspiring dialogue. We aim to share our ideas with you and we would like to know your ideas and wishes. So that we can always offer you the best solutions. To this end we are developing a community, for example, and a growing range of offerings and experiences which go beyond the traditional vehicle-related topics – from areas such as events, travel and lifestyle.

<sup>1</sup> Please refer to the General Terms and Conditions for precise details. <sup>2</sup> Upon expiry (two years after initial registration) a service at an authorised Mercedes-Benz service partner is sufficient to renew Mobilo.

<sup>3</sup> Alternatively: +49 69 95 30 72 77 directly via Mercedes-Benz Contact. Calls to the hotline network entail charges.

## What would motorsport be without Mercedes-Benz?

The first vehicle to ever win an automobile race was powered by a Daimler engine. The first Mercedes was a racing car. The Silver Arrows – a true legend. Mercedes-Benz has a long tradition of involvement with the world of sport. Motorsport shapes the brand and every vehicle bearing the Mercedes star to this day. Discover the brand's unique history first-hand: at the Mercedes-Benz Museum in Stuttgart.

### ↘ FIND OUT MORE

Discover just what has been moving the world for more than 125 years and take a journey through time as well as through the history of the automobile at the Mercedes-Benz Museum. More than 1500 exhibits await you on 16,500 sqm of floor-space, including unique gems such as the oldest surviving Mercedes from 1902 or the legendary gull-wing models. Welcome to a place of innovation:

[www.mercedes-benz-classic.com/museum](http://www.mercedes-benz-classic.com/museum)



## What would Mercedes-Benz be without motorsport?

3 June 1934 marked the beginning of the Silver Arrows legend in the International Eifel Race at the Nürburgring. The Silver Arrows works team MERCEDES AMG PETRONAS continued this tradition in the 2014 Formula 1 season. Its successful involvement was crowned by the most impressive double victory of the season, with the team topping both the constructors' and the drivers' rankings. The team's successes are not restricted to the race track, however. Every mile raced also advances the development of hybrid technology for series production.

### ↘ FIND OUT MORE

Fascinating Formula 1 goes multimedia:

<http://www.facebook.com/MercedesAMGF1>

<http://twitter.com/MERCEDESAMGF1>

<http://www.youtube.com/user/MERCEDESAMGPETRONAS>

<http://plus.google.com/+Mercedesamgf1/posts>

<http://instagram.com/MercedesAMGF1#>

<http://www.MercedesAMGF1.com>



MERCEDES AMG PETRONAS F1 W06 hybrid, 2015 season.



## Ideally connected. The new A-Class with Apple® CarPlay®.

With **Apple® CarPlay®** for the iPhone® and **MirrorLink®** for Android® devices, the new-generation A-Class allows optimum integration for a perfect in-car infotainment system. Including navigation option, telephony and messaging function by means of voice control plus access to the music player. Smartphone integration<sup>1</sup> is part of COMAND Online and optionally available with Audio 20.

### NAVIGATION AND INFOTAINMENT OPTIONS

Navigation, telephone, audio, video, internet – with the **COMAND Online** control and display system, the driver is able to keep these and many other functions in view and under control. They are shown on a high-resolution Media Display with a screen diagonal of 20.3 cm.

**Live Traffic Information** (part of the optional COMAND Online and Garmin® MAP PILOT) facilitates the reception of the latest and precise traffic information for optimised dynamic route guidance and precisely calculated arrival times. Data transfer is with a communication module via a mobile internet connection.

User-friendly navigation, precise map data and excellent route guidance – the **Garmin® MAP PILOT** brings all the familiar benefits of a Garmin® navigation system to the Audio 20 CD – including Live Traffic Information. It is all done by simply inserting an SD card with navigation software and map data sets.

The **Audio 20 CD** multimedia system combines entertainment, information and communication. The Audio 20 CD with internet capability, radio with twin tuner and CD player also allows networking with mobile devices via Bluetooth®, optionally also on the 20.3 cm Media Display.

<sup>1</sup> Expected to be available from start of 2016.



## Ideally networked. With Mercedes connect me.

Our innovative and individualised mobility, connectivity and services go by the name of Mercedes me. As part of this whole new Mercedes-Benz world of experience, **Mercedes connect me** integrates driver, vehicle and personal lifestyle. Mercedes connect me Standard Services such as the Mercedes-Benz emergency call system or breakdown management offer immediate assistance.

The **Remote Online** equipment is the technical preparation for the use of further – separately available – Mercedes connect me services, such as the Parked Vehicle Locator function (see figure below) or retrieval of the current vehicle status (see figure above). Remote Online is optionally available with the Audio 20 multimedia system and an integral part of the optional COMAND Online multimedia system, which opens up the whole world of Mercedes connect me to you – including browser, navigation with Live Traffic Information (free of charge for three years) and numerous apps. The Mercedes connect me services are enabled on your request, with the exception of the automatically activated Mercedes-Benz emergency call system and Mercedes-Benz Live Traffic Information.

### ↳ FIND OUT MORE

All the information is available at  
<http://www.mercedes-benz.com/en/mercedes-me>



## On the road to accident-free driving. Mercedes-Benz Intelligent Drive.

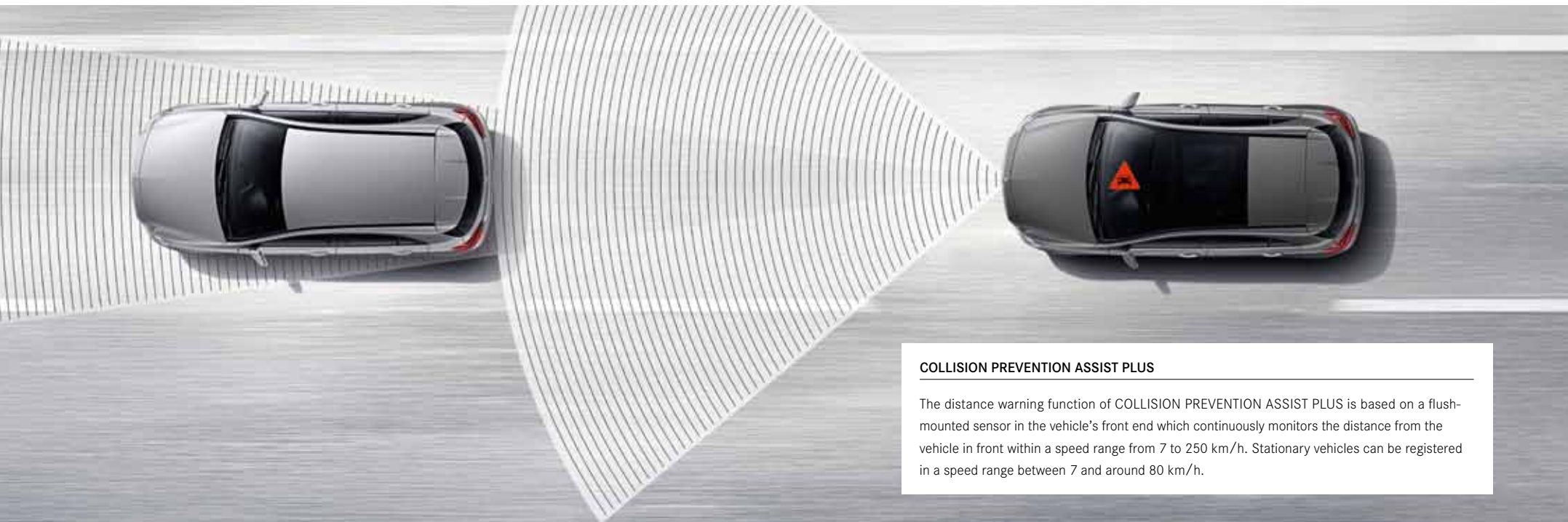
Car drivers can only pay so much attention. It's easier to get distracted – and a rear-end collision happens more quickly – than one would think. This type of collision is responsible for around a quarter of all road accidents involving injuries in Germany. Reducing this number significantly in future is one of the aims of **Mercedes-Benz Intelligent Drive**. It's a question of approach, pioneering spirit and responsibility. But what does this mean in practice?

The new-generation A-Class is equipped with **COLLISION PREVENTION ASSIST PLUS** as standard. The system gives the driver a visual warning if a vehicle in front is too close. On detecting the danger of a collision there is an acoustic warning, driver braking can be assisted and, if the driver fails to react, the car's speed can be reduced autonomously.

### ↘ FIND OUT MORE

COLLISION PREVENTION ASSIST PLUS is part of a big whole: Mercedes-Benz Intelligent Drive – our generic term for intelligent technologies which actively support the driver and help to take the strain out of driving.

[www.mercedes-benz-intelligent-drive.com](http://www.mercedes-benz-intelligent-drive.com)



### COLLISION PREVENTION ASSIST PLUS

The distance warning function of COLLISION PREVENTION ASSIST PLUS is based on a flush-mounted sensor in the vehicle's front end which continuously monitors the distance from the vehicle in front within a speed range from 7 to 250 km/h. Stationary vehicles can be registered in a speed range between 7 and around 80 km/h.



# The reassuring feeling of driving a Mercedes-Benz.

We are the first automotive manufacturer worldwide to have developed an **integral safety concept**, aimed at avoiding accidents, ensuring ideal responses to dangers and mitigating the consequences of accidents. For the occupants of a Mercedes and for all other road users, too.

## SAFE DRIVING

---

**ATTENTION ASSIST** can detect typical signs of drowsiness based on steering behaviour, specially on long journeys and when driving at night, and give the driver plenty of warning if microsleep is imminent.

The **ADAPTIVE BRAKE control system** improves braking performance through intelligent intervention: in wet conditions, the brake discs are kept dry. The brake pads are applied automatically when the driver's foot is removed abruptly from the accelerator pedal. And on uphill slopes, the system is able to prevent the vehicle from rolling backwards.

The optional **DISTRONIC PLUS adaptive cruise control** helps to maintain a safe distance from the vehicle ahead above all in urban or stop-and-go traffic. The system is able to brake the vehicle automatically and subsequently accelerate again as appropriate to the traffic situation.

The optional **Blind Spot Assist** system with radar sensors makes one of the major hazards in traffic visible. When a vehicle is detected in the blind spot, a red triangle lights up in the exterior mirror. An acoustic warning additionally sounds as necessary. The system is active at speeds between 30 and 250 km/h. The optional **Lane Keeping Assist** system is able to recognise when the vehicle is unintentionally drifting out of its lane at speeds between 60 and 200 km/h, duly warning the driver by means of vibrations on the steering wheel. Blind Spot Assist and Lane Keeping Assist also form part of the optional Lane Tracking package.

## IN THE EVENT OF DANGER

---

The optionally available **PRE-SAFE®** anticipatory occupant protection system is able to identify critical driving situations in advance and to initiate precautionary measures to protect the vehicle's occupants if an accident appears imminent. Such measures include reversible belt tensioning or automatic closing of open side windows, for example.

## IN AN ACCIDENT

---

An extensive protection system can substantially reduce the risk of injury. This includes the **active bonnet**, which can spring upwards automatically by six centimetres to provide better protection for pedestrians or cyclists in the event of an impact. The car occupants, meanwhile, benefit from a high level of accident protection thanks to as many as **nine airbags**.

## AFTER AN ACCIDENT

---

Every Mercedes-Benz is highly trained in first aid. If the worst comes to the worst, the engine can be stopped automatically, the hazard warning lights and emergency interior lighting can be activated, and the central locking can be unlocked. Finally the optional **Mercedes-Benz emergency call system** can send position data and important vehicle information, though it is to be hoped this will never be necessary. Mercedes-Benz also provides multilingual rescue guidelines which emergency services can download online worldwide at [www.mercedes-benz.de/rettungsleitfaden](http://www.mercedes-benz.de/rettungsleitfaden).



## DYNAMIC SELECT. Emotions on demand.

Straight from the luxury class to the new-generation A-Class: **DYNAMIC SELECT**. A small button with an astonishingly big effect. You can change between the pre-configured driving modes – “Comfort”, “Sport”, “Eco” and “Individual” – as and when you wish. Doing so alters the settings of the steering, the drive system and – if the new adaptive damping is specified – also the suspension. “Individual” mode lets you choose your own individual settings. **DYNAMIC SELECT** is either standard or optional, depending on model and equipment.




---

The optional **Sports Direct-Steer system** adds to the comfort of speed-sensitive power steering with a variable ratio dependent on the steering angle. This produces a more agile handling response on winding roads, for example, and improved straight-line stability.

The **4MATIC all-wheel drive system** (available for certain models) ensures the best possible relation between dynamics, traction and efficiency in all driving conditions. This is made possible by fully variable torque distribution, ranging from full front drive to a 50:50 split.

---

## New A-Class. New efficiency.

The new **A 180 d BlueEFFICIENCY Edition** featuring a raft of aerodynamic measures, a lowered body and a special transmission ratio boasts a whole package of innovations aimed at ensuring extremely low fuel consumption and CO<sub>2</sub> emissions. Each drive system variant now additionally includes a new **ECO display**. Embedded in the instrument cluster, it uses various graphics to encourage the driver to adopt a fuel-saving driving style. Incidentally, the new-generation A-Class only saves at the right end. Many of the engines have been updated, for an even more dynamic drive.

### MANUAL OR AUTOMATIC?

With short, direct shift travel, the **6-speed manual transmission** enables swift, smooth and easy gear shifting.

The optional **7G-DCT dual clutch transmission** allows fast, smooth gear changes without any interruptions in tractive power. DYNAMIC SELECT can be used to preselect the shift characteristics from fuel-saving to sporty.

### ↘ FIND OUT MORE

From minimum CO<sub>2</sub> emissions to maximum output: the engine line-up offers the best for every taste. The complete list of variants and technical data can be seen on pages 62/63.





## A 250 Sport and A 250 Sport 4MATIC – engineered by AMG.

More power, sporty design elements, exclusive equipment and appointments, and AMG driving dynamics components – that is the essence of the new-generation A-Class Sport models. Get on board and feel the thrill.

### EXTERIOR HIGHLIGHTS

---

AMG Line

---

Red trim on the front and rear aprons

---

Diamond radiator grille with chrome pins, louvre painted in high-gloss black

---

AMG 5-spoke light-alloy wheels, painted black with a high-sheen finish, with 235/40 R 18 tyres

---

AMG speed-sensitive sports steering

---

Sports suspension engineered by AMG, lowered by 15 mm

---

Red brake callipers front and rear, with “Mercedes-Benz” lettering on front callipers

---

Sportier engine, transmission and accelerator configuration

---

AMG rear aerofoil (optional)

---

### INTERIOR HIGHLIGHTS

---

AMG Line

---

designo seat belts in red

---

Air outlets with red surround and cruciform nozzle in silver chrome

---

Cord floor mats with edging in black and red contrasting topstitching plus “Sport” lettering

---

AMG performance seats (optional, see detailed image above)

---







## Ready for the new Mercedes-AMG A 45 4MATIC?

Catapulted by the world's most powerful 4-cylinder production engine. Sharpened by proven high-performance components from the world of motor racing and characterised by distinctive AMG design: the new Mercedes-AMG A 45 4MATIC. Once seen, never forgotten.

### EXTERIOR HIGHLIGHTS

---

AMG front apron with front splitter in matt titanium grey and black flics

---

AMG radiator grille with silver-chrome double louvre and "AMG" lettering

---

AMG side sill panels with inserts in matt titanium grey

---

AMG rear apron with diffuser look

---

AMG Sport exhaust system with two chrome-plated twin tailpipes

---

AMG 10-spoke light-alloy wheels, painted titanium grey with a high-sheen finish, with 235/40 R 18 tyres

---

AMG cross-spoke light-alloy wheels, painted titanium grey with a high-sheen finish, with 235/35 R 19 tyres (optional, see detailed image on left)

---

AMG spoiler lip

---

LED High Performance headlamps

---

### INTERIOR HIGHLIGHTS

---

3-spoke multifunction sports steering wheel in leather, with flattened bottom section, perforated in the grip area, with 12 control buttons and red contrasting topstitching

---

AMG instrument cluster

---

AMG DRIVE UNIT, including AMG DYNAMIC SELECT Controller

---

AMG front sill panels in brushed stainless steel

---

Sports seats upholstered in ARTICO man-made leather/DINAMICA microfibre

---

designo seat belts in red

---

AMG floor mats

---

Air outlets with red surround and cruciform nozzle in silver chrome

---



## Mercedes-AMG A 45 4MATIC technology.

High performance begins way before the first start at Mercedes-AMG. The AMG 2.0-litre 4-cylinder turbocharged engine – the world’s most powerful 4-cylinder production engine, with 475 Nm and 280 kW (381 hp) – is meticulously built by hand in keeping with the “One Man – One Engine” philosophy. The engineer responsible vouches for this with their name – visible by the signature on the AMG engine badge.

### THE AMG TECHNOLOGY PACKAGE

---

AMG SPEEDSHIFT DCT 7-speed sports transmission

---

AMG DYNAMIC SELECT driving modes

---

AMG Performance 4MATIC all-wheel drive

---

AMG axles with special front steering knuckles and AMG-specific elastokinematics

---



---

AMG sports suspension

---

AMG high-performance braking system with internally ventilated and perforated brake discs plus grey-painted brake callipers with “AMG” lettering

---

3-stage Electronic Stability Program ESP®

---

AMG speed-sensitive sports steering

---

AMG cooling system with additional wheel arch water cooler

---



## AMG Performance Studio.

In the AMG Performance Studio you will find a great variety of optional extras which endow the Mercedes-AMG A 45 4MATIC with even more AMG spirit and individuality. The highlight in terms of driving dynamics is the AMG DYNAMIC PLUS package, including a front-axle locking differential for extremely effective traction when adopting a sporty driving style.



### HIGHLIGHTS FROM THE AMG PERFORMANCE STUDIO

---

AMG Night package

---

AMG Aerodynamics package

---

AMG carbon-fibre exterior mirror housings

---

AMG DYNAMIC PLUS package, including front-axle locking differential

---

AMG RIDE CONTROL sports suspension with two-stage adaptive damping and additional RACE mode

---

Red-painted brake callipers with black "AMG" lettering

---

AMG performance exhaust system including switch in the upper control panel for an even more emotive engine sound in the interior

---

AMG performance steering wheel, AMG E-SELECT selector lever and master key with AMG crest

---

AMG performance seats

---

AMG Driver's package (top speed limited to 270 km/h and participation in driver training at the AMG Driving Academy)

---





## The standard equipment.

Even inconspicuous details have a high-quality feel. Even barely visible components are engineered for an extremely precise fit. Even the most unlikely emergencies are taken into account in the extensive protective measures. This all-round luxury comes as standard in every Mercedes.

### ↘ FIND OUT MORE

For the complete range of standard equipment please refer to the price list, which is also available for viewing online: [www.mercedes-benz.com](http://www.mercedes-benz.com)

### EXTERIOR HIGHLIGHTS

---

Steel wheels with 10-hole wheel trims, with 195/65 R 15 tyres (some models have steel wheels with 10-hole wheel trims with 205/55 R 16 tyres or 10-spoke light-alloy wheels with 225/45 R 17 tyres)

---

Diamond radiator grille in high-gloss black

---

Exhaust system without visible tailpipe trim

---

Beltline trim strips in matt black

---

Door handles and bumpers painted in vehicle colour

---

Comfort suspension

---

### INTERIOR HIGHLIGHTS

---

Seats upholstered in Venlo fabric

---

Honeycomb-look trim

---

3-spoke multifunction steering wheel with 12 control buttons

---

Roof liner in crystal grey fabric

---

Air conditioning

---

Audio 5 USB

---







## Confidently stylish. The Style line.

The Style design and equipment line emphasises the individual vehicle character – with 10-spoke light-alloy wheels, sports seats with specific seat upholstery layout, a black diamond radiator grille with one louvre in the vehicle colour and chrome insert plus a chrome-plated trim strip on the front bumper.

### EXTERIOR HIGHLIGHTS

---

10-spoke light-alloy wheels with 205/55 R 16 tyres (some models have 10-spoke light-alloy wheels with 225/45 R 17 tyres)

---

Diamond radiator grille in high-gloss black, louvre painted in vehicle colour with chrome insert

---

Beltline trim strip in chrome

---

Chrome-plated trim strip in the front bumper

---

### INTERIOR HIGHLIGHTS

---

Sports seats upholstered in ARTICO man-made leather/Messancy fabric with highlights in green or red and contrasting topstitching

---

Seat Comfort package, including adjustable seat length

---

Honeycomb-look trim

---

Air outlets with surround and cruciform nozzle in silver chrome

---

High-gloss black light switch with ring in silver chrome

---

Cover on stowage compartment in centre console

---

Multifunction holder in the centre console

---

Black roof liner (optional: grey)

---





## Inspirationally progressive. The Urban line.

The Urban design and equipment line underscores the vehicle's sportiness – for example with 5-twin-spoke light-alloy wheels, sports seats, chrome-plated tailpipe trim elements and black diamond radiator grille with a silver-coloured louvre and chrome insert.

### EXTERIOR HIGHLIGHTS

---

5-twin-spoke alloy wheels, with 225/45 R 17 tyres

---

Diamond radiator grille in high-gloss black, louvre painted in silver colour with chrome insert

---

Twin-pipe exhaust system with chrome-plated tailpipe trim

---

Beltline trim strip in chrome

---

Chrome-plated trim strip in the front and rear bumpers

---

### INTERIOR HIGHLIGHTS

---

Sports seats upholstered in ARTICO man-made leather/Larochette fabric with contrasting topstitching

---

Seat Comfort package, including adjustable seat length

---

Chequerboard-look trim

---

Air outlets with surround and cruciform nozzle in silver chrome

---

3-spoke multifunction steering wheel in leather, with perforations in the grip area and 12 control buttons plus contrasting topstitching

---

Tube-look instrument cluster with round dials in chequered-flag look and red needles

---



## Thrillingly dynamic. The AMG Line.

Powerful AMG bodystyling. AMG light-alloy wheels. Brushed stainless-steel sports pedals with rubber studs. Lowered sports suspension. This is what high performance looks like today. Have you trained well enough for it?

### EXTERIOR HIGHLIGHTS

---

AMG bodystyling with front and rear apron plus side sill panels

---

AMG 5-twin-spoke light-alloy wheels, painted in titanium grey with a high-sheen finish, with 225/40 R 18 tyres

---

Diamond radiator grille with pins in chrome, louvre painted in silver colour with chrome insert

---

Twin-pipe exhaust system with chrome-plated tailpipe trim

---

Lowered sports suspension (optional: lowered comfort suspension)

---

Sports Direct-Steer system

---

Perforated front disc brakes

---

Front brake callipers with "Mercedes-Benz" lettering

---

### INTERIOR HIGHLIGHTS

---

Sports seats upholstered in ARTICO man-made leather/DINAMICA microfibre with red contrasting topstitching

---

Carbon-fibre-look trim

---

DYNAMIC SELECT

---

3-spoke multifunction sports steering wheel in leather with flattened bottom section

---

Tube-look instrument cluster with round dials in chequered-flag look and red needles

---

Air outlets with surround and cruciform nozzle in silver chrome

---

Seat Comfort package, including adjustable seat length

---

Brushed stainless-steel sports pedals with rubber studs

---







## Exclusive package.

Comfort, quality and design at an exclusive level. High-grade interior appointments are combined with style. The heated sports seats with 4-way lumbar support and seat cushion length adjustment, the multifunction steering wheel and the shift lever are trimmed in leather, while the dashboard and door centre panels are finished in matching ARTICO man-made leather. Contrasting topstitching and design elements in silver chrome add exclusive highlights. Practical details such as the multifunction holder, the convenience closing feature and the 12V socket in the rear complete the package.

## AMG Exclusive package.

Maximum exclusivity, individuality and sportiness. Based on the AMG Line or the Mercedes-AMG A 45 4MATIC, this design and equipment package includes heated sports seats with 4-way lumbar support and seat cushion length adjustment, upholstered in distinctive black RED CUT leather. The dashboard and the door centre panels are finished in matching ARTICO man-made leather. The multifunction sports steering wheel with flattened bottom section, perforations in the grip area and 12 control buttons underscores the sporty character, which is further emphasised by the red contrasting topstitching on all elements.



## Night package.

Black, sporty, expressive. Featuring distinctive exterior equipment and selected design elements in black, the Night package allows even more pronounced individualisation based on the Style, Urban or AMG Line design and equipment lines. The light-alloy wheels with a high-sheen finish, the beltline trim strips and the trim strip in the lower section of the front bumper (Style and Urban design and equipment lines) and rear bumper (Urban design and equipment line) are finished in sparkling high-gloss black. In conjunction with the AMG Line the front splitter is also finished in high-gloss black. Heat-insulating dark-tinted glass from the B-pillar onwards shields the interior from prying eyes and impressively underscores the vehicle's sporty character.

## Optional extras.

There are countless possibilities for making the A-Class your own. From small details that add special touches to comfort features which until recently were still the reserve of the luxury segment. Take your time to browse around – in this brochure, by reference to the price list or online. You can configure the A-Class just how you want it at [www.mercedes-benz.com](http://www.mercedes-benz.com).

---

The Light and Sight package further enhances the high-class appeal and optimises visibility. The optionally available **ambient lighting** is a further highlight. You can choose from twelve colours to set just the right mood.

---

With its large glazed area, the **panoramic sliding sunroof** ensures a particularly bright and welcoming ambience in the interior. It comprises an electrically operated glass sliding roof for individual ventilation of the interior and a mesh wind deflector.

---

In addition to their distinctive visual appeal, the **LED High Performance headlamps** boost night-time driving safety thanks to broad light distribution, a daylight-simulating colour temperature and low energy consumption. This equipment option includes the “Coming Home” function: a light show that greets the driver after unlocking the car.

---

Featuring twelve loudspeakers, including woofer, and a 9-channel DSP amplifier, the 450-watt **Harman Kardon® Logic 7® surround sound system** provides a sublime stereo sound experience.

---

The vehicle can be conveniently opened, started and locked with the **KEYLESS GO** access and drive authorisation system – simply by carrying the electronic key.

---

Reverse parking and manoeuvring is considerably easier and safer using the **reversing camera**. It is switched on automatically when the driver selects reverse gear, and shows the driver the area behind the vehicle with dynamic guide lines on the Media Display.

---



## Genuine accessories.

The new-generation A-Class leaves virtually nothing to be desired. And for those extra special needs there are genuine accessories. These cover almost every conceivable need for more pleasant and individual motoring. Each accessory has been developed specifically in line with the high Mercedes-Benz quality standards.

---

The **roof spoiler** makes the roof appear longer and lends the car a more dynamic and sporty look at the rear. Furthermore, a high quality base coat makes the paint finish in the desired colour possible.

---

The **rear trim strip** in realistic "Carbon Style" and individually dynamic 3-D depth effect emphasise the car's dynamic appearance.

---

5-twin-spoke **light-alloy wheels**, painted black with red rim flange, with 225/40 R 18 tyres (Code A246 401 0600 9Y23, see detailed image at bottom left).

---

5-triple-spoke **light-alloy wheels**, painted black with a high-sheen finish, with 225/40 R 18 tyres (Code A246 401 2202 7X23, see detailed image at bottom right).

---



### ▾ FIND OUT MORE

Discover the entire range. Now online at  
[www.mercedes-benz-accessories.com](http://www.mercedes-benz-accessories.com)



R78



R48



52R 612



R15



R38



678 791



## Wheels.

Wheels are indispensable on technical grounds, of course. But on an emotional level, too, perfect wheels are an absolutely crucial ingredient of many people's dream car. So we have compiled a particularly broad selection for you.

### STANDARD EQUIPMENT AND OPTIONAL EXTRAS

R78 5-twin-spoke light-alloy wheels, painted black with a high-sheen finish, with 205/55 R 16 tyres

R15 5-twin-spoke light-alloy wheels, painted himalayas grey, with 225/45 R 17 tyres

R48 5-twin-spoke light-alloy wheels, painted himalayas grey with a high-sheen finish, with 225/45 R 17 tyres

R38 5-twin-spoke light-alloy wheels, painted black with a high-sheen finish, with 225/40 R 18 tyres

52R 5-spoke light-alloy wheels, painted black with a high-sheen finish, with 225/40 R 18 tyres

### AMG

678 AMG 5-twin-spoke light-alloy wheels, painted titanium grey with a high-sheen finish, with 225/40 R 18 tyres

612 AMG 5-twin-spoke light-alloy wheels, painted black with a high-sheen finish, with 225/40 R 18 tyres

791 AMG multi-spoke light-alloy wheels, painted titanium grey with a high-sheen finish, with 225/40 R 18 tyres



646



637



638 780



61



774



693



99R 787



646 AMG multi-spoke light-alloy wheels, painted black with high-shine rim flange, with 225/40 R 18 tyres

774 AMG 5-spoke light-alloy wheels, painted black with a high-shine finish, with 235/40 R 18 tyres

637 AMG 5-twin-spoke light-alloy wheels, painted black with a high-shine finish, with 235/40 R 18 tyres

693 AMG multi-spoke light-alloy wheels, painted black with a high-shine finish, with 235/35 R 19 tyres

638 AMG cross-spoke light-alloy wheels, painted titanium grey with a high-shine finish, with 235/35 R 19 tyres

99R AMG cross-spoke light-alloy wheels, painted matt black with high-shine rim flange, with 235/35 R 19 tyres

780 AMG multi-spoke light-alloy wheels, painted titanium grey with a high-shine finish, with 235/35 R 19 tyres

787 AMG multi-spoke light-alloy wheels, painted matt black with high-shine rim flange, with 235/35 R 19 tyres

#### ↘ FURTHER INFORMATION

about the wheels and their availability and about the range of Mercedes-Benz Genuine Accessories is available from your authorised Mercedes-Benz dealer or at [www.mercedes-benz-accessories.com](http://www.mercedes-benz-accessories.com)

# Technical data.

## DIESEL ENGINES

	A 160 d	A 180 d	A 180 d BE Edition	A 200 d	A 200 d 4MATIC	A 220 d	A 220 d 4MATIC
No. of cylinders/arrangement	4/in-line	4/in-line	4/in-line	4/in-line	4/in-line	4/in-line	4/in-line
Total displacement in cc	1461	1461	1461	2143	2143	2143	2143
Rated output <sup>1</sup> in kW (hp) at rpm	66 (90)/2750-4000	80 (109)/4000	80 (109)/4000	100 (136)/3200-4000	100 (136)/3400-4400	130 (177)/3600-3800	130 (177)/3600-3800
Rated torque <sup>1</sup> in Nm at rpm	240/1700-2500	260/1750-2500	260/1750-2500	300/1400-3000	300/1400-3000	350/1400-3400	350/1400-3400
Transmission	6-speed, manual [7G-DCT]	6-speed, manual [7G-DCT]	6-speed, manual	6-speed, manual [7G-DCT]	- [7G-DCT]	- [7G-DCT]	- [7G-DCT]
Acceleration from 0-100 km/h in s [7G-DCT]	13.8 [13.6]	11.3 [11.3]	11.3	9.3 [8.8]	- [8.8]	- [7.5]	- [7.5]
Top speed, approx. in km/h	180	190	190	210	210	224	220
Tyre size, front	195/65 R 15	195/65 R 15	195/65 R 15	205/55 R 16	205/55 R 16	225/45 R 17	225/45 R 17
Tyre size, rear	195/65 R 15	195/65 R 15	195/65 R 15	205/55 R 16	205/55 R 16	225/45 R 17	225/45 R 17
Fuel	Diesel	Diesel	Diesel	Diesel	Diesel	Diesel	Diesel
Fuel consumption <sup>3</sup> in l/100 km							
Urban [7G-DCT]	4.6-4.3 [4.3-4.2]	4.6-4.3 [4.3-4.2]	3.9-3.9	5.7-5.2 [4.9-4.6]	- [5.7-5.5]	- [5.0-4.8]	- [5.7-5.5]
Extra-urban [7G-DCT]	3.8-3.4 [3.7-3.4]	3.8-3.4 [3.7-3.4]	3.2-3.2	3.8-3.4 [3.7-3.4]	- [4.4-4.1]	- [3.7-3.5]	- [4.4-4.1]
Combined [7G-DCT]	4.1-3.7 [3.9-3.7]	4.1-3.7 [3.9-3.7]	3.5-3.5	4.5-4.1 [4.1-3.8]	- [4.9-4.6]	- [4.2-4.0]	- [4.9-4.6]
CO <sub>2</sub> emissions <sup>3</sup> in g/km, combined [7G-DCT]	107-98 [104-98]	107-98 [104-98]	89-89	116-106 [108-99]	- [127-121]	- [109-104]	- [127-121]
Emissions class <sup>4</sup> /Efficiency class <sup>5</sup> [7G-DCT]	Euro 6/A+ [A+]	Euro 6/A+ [A+]	Euro 6/A+	Euro 6/A [A+]	Euro 6/- [A]	Euro 6/- [A+]	Euro 6/- [A]
Tank capacity, of which reserve, approx. in l	50/6.0	50/6.0	40/6.0	50/6.0	56/6.0	50/6.0	56/6.0
Boot capacity <sup>6</sup> in l	341-1157	341-1157	341-1157	341-1157	341-1157	341-1157	341-1157
Turning circle diameter in m	11.00	11.00	11.00	11.00	11.00	11.00	11.00
Kerb weight <sup>7</sup> in kg [7G-DCT]	1395/535 [1425/540]	1395/565 [1425/535]	1385/465	1455/555 [1485/525]	- [1545/515]	- [1485/525]	- [1545/515]
Perm. GVW in kg [7G-DCT]	1960 [1935]	1960 [1960]	1850	2010 [2010]	- [2060]	- [2010]	- [2060]

**The best for the engine:**  
Genuine Mercedes-Benz engine oils.

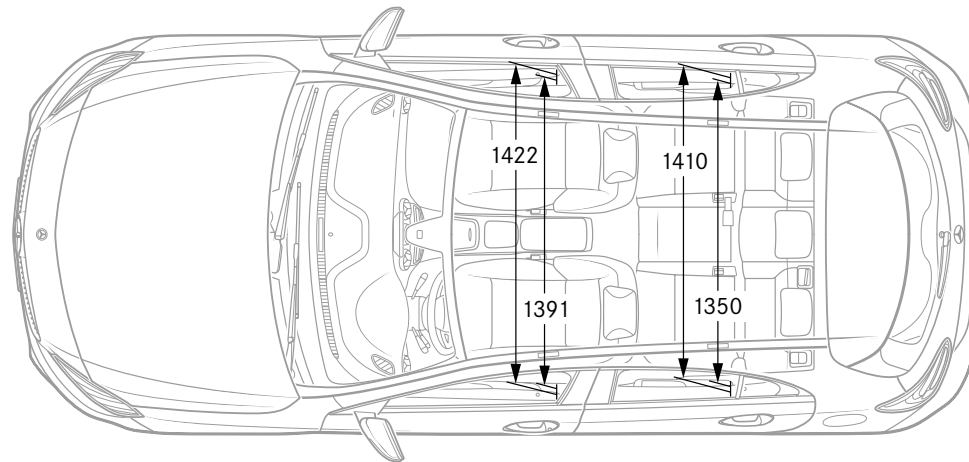
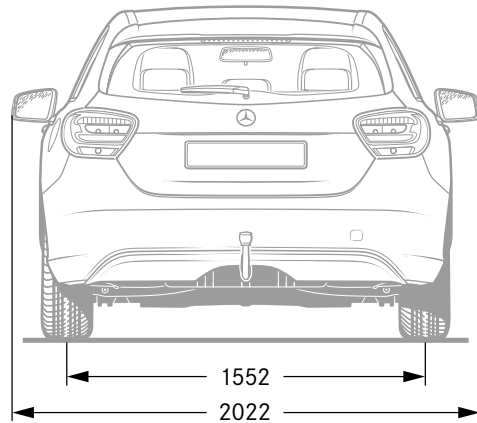
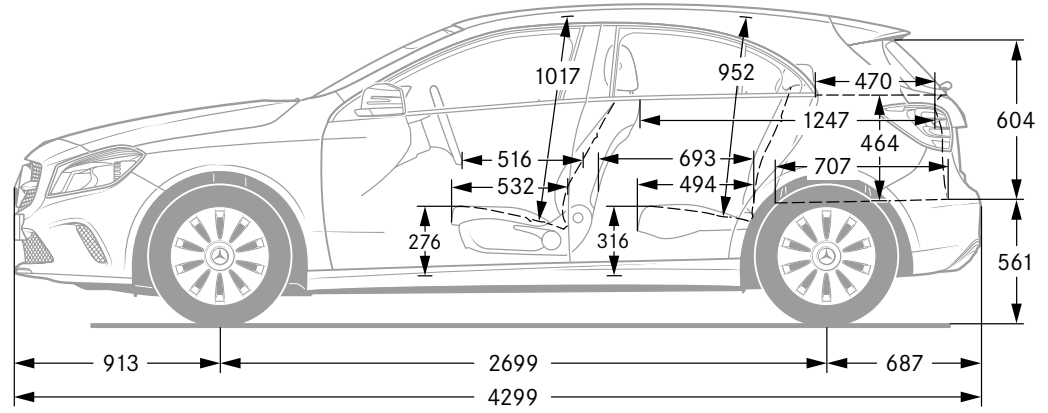
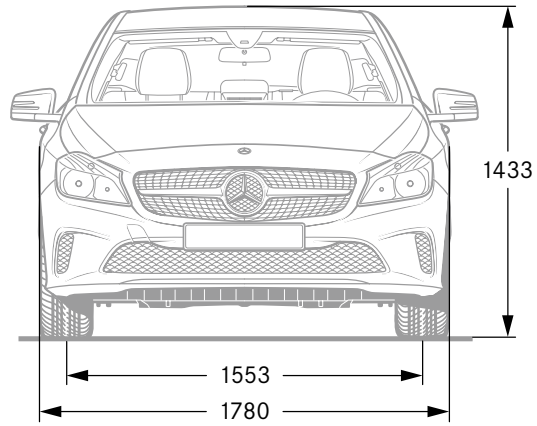
<sup>1</sup> Figures for rated output and rated torque according to currently applicable version of Regulation (EC) no. 595/2009. <sup>2</sup> Electronically governed. <sup>3</sup> The figures indicated for fuel consumption and CO<sub>2</sub> emissions were obtained in accordance with the prescribed measuring process (§2 nos. 5, 6, 6a of currently applicable version of German Passenger Car Energy Consumption Labelling Regulations). The figures are not based on an individual vehicle and do not constitute part of the product offer; they are provided solely for purposes of comparison between different vehicle models. <sup>4</sup> Figure only applicable within the European Union. May vary from country to country. <sup>5</sup> Determined based on the measured CO<sub>2</sub> emissions, taking account of



PETROL ENGINES	A 160	A 180	A 180 BE Edition	A 200	A 220 4MATIC	A 250	A 250 4MATIC	A 250 Sport	A 250 Sport 4MATIC	Mercedes-AMG A 45 4MATIC
No. of cylinders/arrangement	4/in-line	4/in-line	4/in-line	4/in-line	4/in-line	4/in-line	4/in-line	4/in-line	4/in-line	4/in-line
Total displacement in cc	1595	1595	1595	1595	1991	1991	1991	1991	1991	1991
Rated output <sup>1</sup> in kW (hp) at rpm	75 (102)/ 4500-6000	90 (122)/ 5000	90 (122)/ 5000	115 (156)/ 5300	135 (184)/ 5500	155 (211)/ 5500	155 (211)/ 5500	160 (218)/ 5500	160 (218)/ 5500	280 (381)/ 6000
Rated torque <sup>1</sup> in Nm at rpm	180/1200-3500	200/1250-4000	200/1250-4000	250/1250-4000	300/1200-4000	350/1200-4000	350/1200-4000	350/1200-4000	350/1200-4000	475/2250-5000
Transmission	6-speed, manual [7G-DCT]	6-speed, manual [7G-DCT]	6-speed, manual	6-speed, manual [7G-DCT]	- [7G-DCT]	6-speed, manual [7G-DCT]	- [7G-DCT]	6-speed, manual [7G-DCT]	- [7G-DCT]	- [AMG SPEED- SHIFT DCT 7-speed sports transmission]
Acceleration from 0-100 km/h in s [7G-DCT]	10.6 [10.4]	8.9 [8.6]	8.9	8.1 [7.8]	- [6.9]	6.5 [6.4]	- [6.4]	6.4 [6.3]	- [6.3]	- [4.2]
Top speed, approx. in km/h	190	202	190	224	228	240	240	240	240	250 <sup>2</sup>
Tyre size, front	195/65 R 15	195/65 R 15	195/65 R 15	205/55 R 16	205/55 R 16	225/45 R 17	225/45 R 17	235/40 R 18	235/40 R 18	235/40 R 18
Tyre size, rear	195/65 R 15	195/65 R 15	195/65 R 15	205/55 R 16	205/55 R 16	225/45 R 17	225/45 R 17	235/40 R 18	235/40 R 18	235/40 R 18
Fuel	Premium petrol	Premium petrol	Premium petrol	Premium petrol	Premium petrol	Premium petrol	Premium petrol	Premium petrol	Premium petrol	Super Plus petrol
Fuel consumption <sup>3</sup> in l/100 km										
Urban [7G-DCT]	7.2-7.2 [6.8-6.7]	7.6-7.5 [6.8-6.7]	6.9-6.9	7.6-7.5 [6.8-6.7]	- [8.4-8.3]	8.7-8.6 [7.9-7.8]	- [8.4-8.4]	8.9-8.9 [8.0-8.0]	- [8.4-8.4]	- [9.6-9.2]
Extra-urban [7G-DCT]	4.5-4.3 [4.6-4.2]	4.6-4.3 [4.6-4.2]	4.1-4.1	4.6-4.4 [4.6-4.2]	- [5.5-5.2]	5.4-5.2 [4.9-4.8]	- [5.5-5.4]	5.5-5.5 [5.1-5.1]	- [5.6-5.6]	- [6.0-5.6]
Combined [7G-DCT]	5.6-5.4 [5.4-5.1]	5.7-5.5 [5.4-5.1]	5.2-5.2	5.7-5.5 [5.4-5.1]	- [6.6-6.3]	6.7-6.6 [6.0-5.8]	- [6.6-6.5]	6.8-6.8 [6.2-6.2]	- [6.6-6.6]	- [7.3-6.9]
CO <sub>2</sub> emissions <sup>3</sup> in g/km, combined [7G-DCT]	128-124 [126-119]	134-127 [126-119]	120-120	134-128 [126-119]	- [154-148]	154-151 [139-136]	- [154-152]	158-158 [143-143]	- [154-154]	- [171-162]
Emissions class <sup>4</sup> /Efficiency class <sup>5</sup> [7G-DCT]	Euro 6/B [B]	Euro 6/B [B]	Euro 6/B	Euro 6/B [B]	Euro 6/- [C]	Euro 6/D [C]	Euro 6/- [C]	Euro 6/D [C]	Euro 6/- [C]	Euro 6/- [D]
Tank capacity, of which reserve, approx. in l	50/6.0	50/6.0	40/6.0	50/6.0	56/6.0	50/6.0	56/6.0	50/6.0	56/6.0	56/8.0
Boot capacity <sup>6</sup> in l	341-1157	341-1157	341-1157	341-1157	341-1157	341-1157	341-1157	341-1157	341-1157	341-1157
Turning circle diameter in m	11.00	11.00	11.00	11.00	11.00	11.00	11.00	11.00	11.00	11.04
Kerb weight <sup>7</sup> in kg [7G-DCT]	1370/565 [1395/540]	1370/565 [1395/540]	1370/555	1370/565 [1395/540]	- [1500/515]	1395/565 [1435/525]	- [1505/525]	1415/545 [1455/505]	- [1505/525]	- [1555/495]
Perm. GVW in kg [7G-DCT]	1935 [1935]	1935 [1935]	1925	1935 [1935]	- [2015]	1960 [1960]	- [2030]	1960 [1960]	- [2030]	- [2050]

the vehicle mass. <sup>6</sup> Figures according to currently applicable version of Directive 2007/46/EC. <sup>7</sup> Figures according to currently applicable version of Directive 92/21/EC (kerb weight with fuel tank 90% full, driver, 68 kg, and luggage, 7 kg) for standard-specification vehicles. Optional extras and accessories will generally increase this figure and reduce the payload capacity accordingly. Values in square brackets apply to engines in conjunction with optional automatic transmission. You can find further technical data at [www.mercedes-benz.com](http://www.mercedes-benz.com)

# Dimensions.



All dimensions in millimetres. The dimensions shown are mean values and apply to standard-specification, unladen vehicles.

# Upholstery and trim.

## Upholstery

- 001 Venlo black fabric<sup>1</sup>
- 021 Hilversum black fabric<sup>2</sup>
- 028 Hilversum crystal grey fabric<sup>2</sup>
- 111 ARTICO man-made leather in black<sup>2</sup>
- 118 ARTICO man-made leather in crystal grey<sup>2</sup>
- 461 ARTICO man-made leather/Messancy Style fabric in black/green<sup>3</sup>
- 471 ARTICO man-made leather/Messancy Style fabric in black/red<sup>3</sup>
- 361 ARTICO man-made leather/Larochette Urban fabric in black<sup>3</sup>
- 368 ARTICO man-made leather/Larochette Urban fabric in crystal grey<sup>3</sup>
- 651 ARTICO man-made leather/DINAMICA AMG Line microfibre in black<sup>3</sup>
- 801 Exclusive Leather package in black<sup>3</sup>
- 804 Exclusive Leather package in nut brown<sup>3</sup>
- 855 Exclusive Leather package in sahara beige/black<sup>3</sup>
- 811 AMG Exclusive Leather package in black RED CUT<sup>3</sup>

## Trim

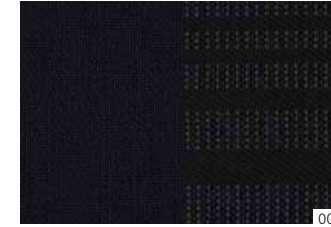
Honeycomb look (standard equipment, Seat Comfort package, Style design and equipment line)

Chequerboard look (Urban design and equipment line)

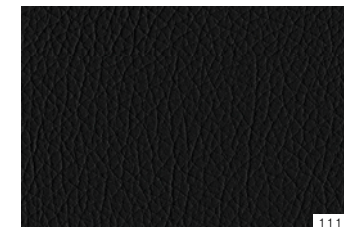
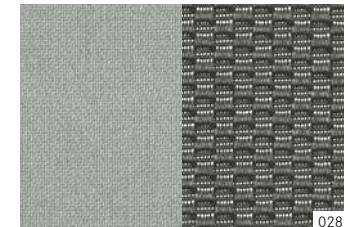
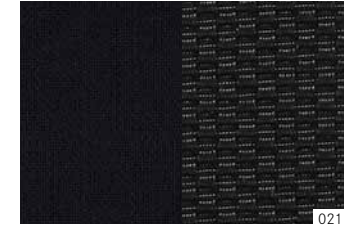
Carbon-fibre look (AMG Line, Mercedes-AMG A 45 4MATIC, AMG Exclusive package)

Perforated-leather look (Exclusive package)

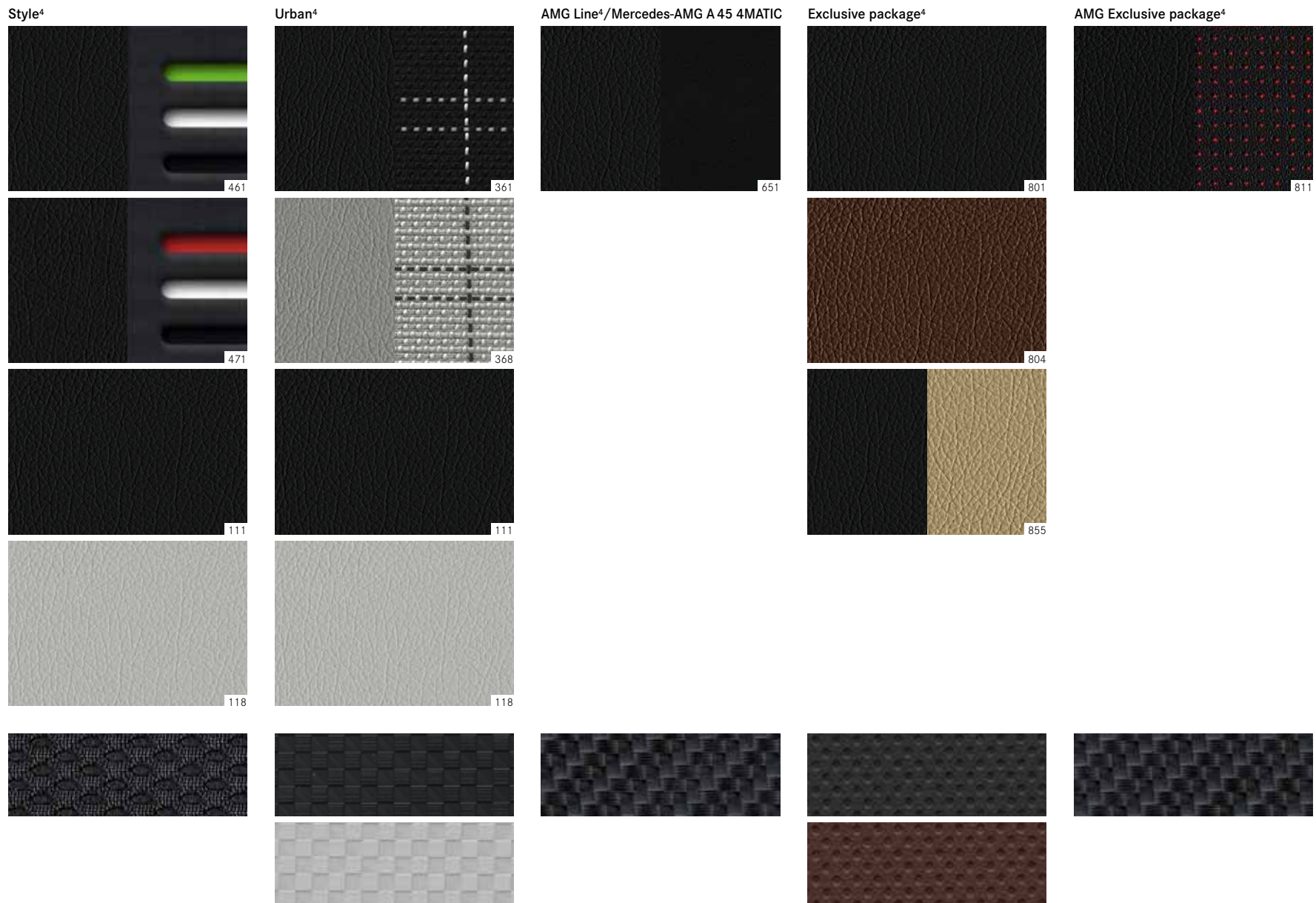
Standard equipment



Seat Comfort package<sup>4</sup>



<sup>1</sup> Standard seat. <sup>2</sup> Comfort seat. <sup>3</sup> Sports seat. <sup>4</sup> Optional extra.



# Paintwork.

## Non-metallic paints



589



650



696

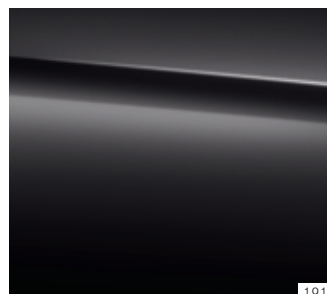
## Metallic paints<sup>1</sup>



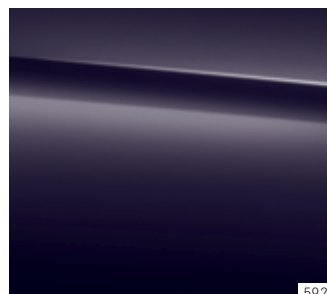
162



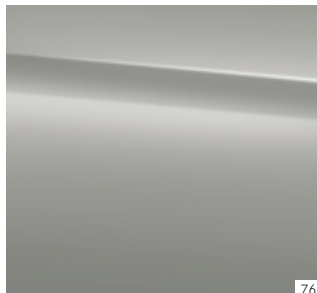
175



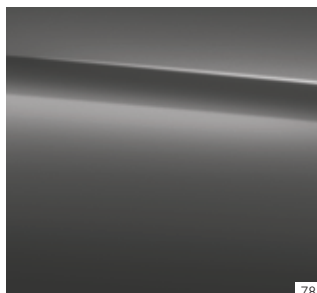
191



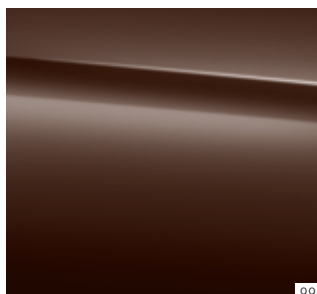
592



761

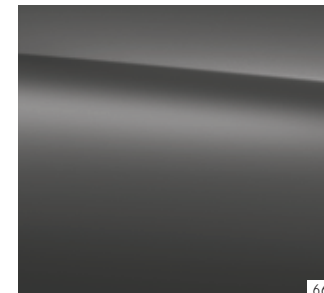


787



990

## designo paint<sup>1</sup>



662

---

### Non-metallic paints

---

589 jupiter red

650 cirrus white

696 night black

---

### Metallic paints<sup>1</sup>

---

162 south seas blue

175 elbaite green

191 cosmos black

592 northern lights violet

761 polar silver

787 mountain grey

990 orient brown

---

### designo paint<sup>1</sup>

---

662 designo mountain grey magno

<sup>1</sup> Optional extra.



**Mercedes-Benz is one of the founding partners of the “Laureus Sport for Good Foundation”.**

Since the foundation was established in 2000, Mercedes-Benz has been supporting and promoting the aims and values of this worldwide non-profit-making programme: to improve the lives of children and young people who are disadvantaged or suffering from illnesses through social sports projects. Laureus has become a fundamental element of Mercedes-Benz’s social responsibility. Every new Mercedes is an ambassador embodying these values. In buying a Mercedes you are supporting the “Laureus Sport for Good Foundation”.

**Please note:** changes may have been made to the product since going to print (24.04.2015). The manufacturer reserves the right during the delivery period to make changes to the design, form, colour or specification, provided these changes, while taking into account the interests of the vendor, can be deemed reasonable with respect to the purchaser. Where the vendor or the manufacturer uses symbols or numbers to describe an order or the subject of an order, no rights may be derived solely from these. The illustrations may include accessories and optional extras which do not form part of the standard specification. Colours may differ slightly from those shown, owing to the limitations of the printing process. This brochure is distributed internationally. Statements about legal and fiscal regulations and effects apply only to the Federal Republic of Germany. For current and more specific information in relation to the range of models, features, optional extras, colours and/or services available in your country, and their pricing, you should contact your nearest authorised Mercedes-Benz Passenger Car Dealer.

[www.mercedes-benz.com](http://www.mercedes-benz.com)

Daimler AG, Mercedesstr. 137, 70327 Stuttgart MS/MAC 6701 · 1414 · 02-00/0915

**Take-back of end-of-life vehicles.** We will be pleased to take back your A-Class for environment-friendly disposal in accordance with the European Union (EU) End-Of-Life Vehicle Directive – but that day lies a long way off.

A network of vehicle take-back depots and dismantlers is available to make returning your vehicle as easy as possible for you. You are welcome to return your vehicle to one of these establishments free of charge. In so doing, you will be making a valuable contribution towards closing the recycling cycle and preserving resources.

For further information about the recycling and disposal of end-of-life vehicles, and the take-back conditions, please visit the national Mercedes-Benz website.