

2023

QX55



INFINITI



HOW DO YOU QUANTIFY TRUE ORIGINALITY?

Blurring boundaries. Blending existing styles in new ways. Inventing something entirely new. There is no one way to define originality, but true originals know exactly how to quantify their own. The INFINITI QX55 fearlessly embodies that attitude as the crossover coupe that defines the genre INFINITI created. With its daring fastback roofline and sport-inspired style that extends to the interior, the QX55 is a provocative statement. Let your expression continue with performance that adapt to you and technologies that adapt to the traffic around you. And through nights out in the city and early starts on the highway, stay connected via INFINITI InTouch™ with wireless Apple CarPlay® integration.¹ For those who lead from within, the INFINITI QX55 is an expression on your terms.



^ PROVOKES A SECOND LOOK Beyond first impressions from its low, fastback roofline, there's no mistaking the sport-inspired details of the aggressive front splitter and angular fog light surrounds. A theme that continues with standard 20" aluminum-alloy wheels to amplify a bold presence. With INFINITI-signature Digital Piano Key Taillights, you'll turn as many heads as you leave, as each defined "key" lights up in a uniform glow.



^ MOVE WITH DISTINCTION **1** 20 X 8.5-inch Dark-Painted and Machine-Finished Aluminum-Alloy Wheels



^ ACCELERATES YOUR DRIVE Performance in the QX55 responds to your drive to keep moving forward and adapts to the ways you want to move. The INFINITI world's first production variable compression turbo engine, the INFINITI VC-Turbo® continuously transforms for optimal power and efficiency, whether you want to sprint or cruise.² Throttle response is sharp, steering quick, and the overall experience can be dialed up or down on your whim, thanks to the Drive Mode Selector. Toggle between four different driving modes designed to cater to any driving situation or mood – from laid-back to sport.

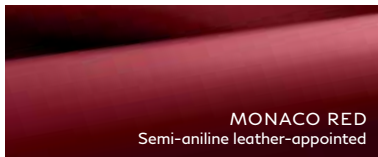
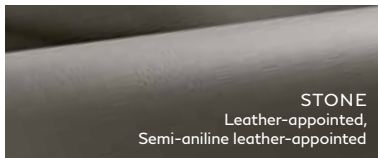
*INFINITI has taken care to ensure that the color swatches presented here are the closest possible representations of actual vehicle colors. Swatches may vary slightly due to the printing process and whether viewed in daylight, fluorescent or incandescent light. Please see the actual colors at your retailer.

EXTERIOR COLORS*

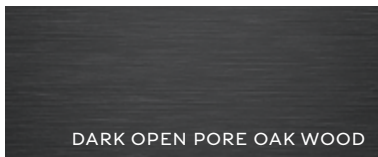
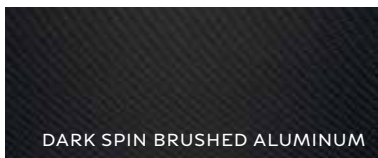


^ PAINT WITH PERSONALITY
From sophisticated to dynamic, color inspires your own personal style.

INTERIOR COLOR/MATERIAL



INTERIOR TRIM*



^ **EVERY CHOICE IS BOLD** A rich and modern palette is the foundation for a premium space. Engage the senses with a striking combination of sight and touch.

A 360° VIEW ON EVERY OUTING
Big events have tight parking. Maneuver with ease, as the available Around View® Monitor grants a virtual 360° view from above.^{3,4}

*INFINITI has taken care to ensure that the color swatches presented here are the closest possible representations of actual vehicle colors. Swatches may vary slightly due to the printing process and whether viewed in daylight, fluorescent or incandescent light. Please see the actual colors at your retailer.



MOMENTUM EXPRESSED

The definitive INFINITI QX55 design effortlessly moves from its fearless exterior to an open and inviting cabin. With a dashboard that flows into the armrest in one bold movement to wrap around the driver, the space embraces you in cockpit-like comfort. Relax into the durable, yet soft leather appointments, now standard, and you'll know that you've traversed genres.

Finally, with acute attention paid to the sharpest details, like the precision stitching, you'll discover that the interior is just as thrilling as the most spirited of drives.



TECH THAT HELPS LOOK OUT FOR YOU¹

As automotive technology becomes more advanced, we are striving to find new ways to anticipate the dangers around you. Many are INFINITI world's first technologies, like the Predictive Forward Collision Warning, which can alert you to a potential collision two cars ahead. Available Around View[®] Monitor with Moving Object Detection helps elevate your vision as you park with a virtual composite 360° view from above. Finally, you can expand your awareness with the optional Blind Spot Intervention[®], which uses sensors to help detect cars in your blind spot area and can intervene to help avoid a collision.

The QX55 redefines the commute your way.

EVERYONE'S INVITED The most memorable experiences are those that are shared. Whether it's nights out on dazzling downtown streets or windy mountain roads, your backseat companions always stay comfortable with 3 zone climate control system with special air filter, standard on the SENSORY trim. And with standard second-row USB charging ports, everyone's able to stay charged up and connected.⁸

PLAYLIST PERFECTION There's an art to creating a playlist that takes you somewhere. Similarly, the available Bose[®] series 16 - speakers transforms your playlist into an immersive soundstage, down to the speaker grilles' shape, enhancing high and low frequencies.

SIRI, FOLLOW ME

Get directions, make calls, enjoy your favorite music, and send and receive messages with your voice or hands with Wireless Apple CarPlay[®]. All while focused on the road.



YOUR LIFE ON YOUR PLATFORM

INFINITI InTouch[™] with wireless Apple CarPlay[®] integration lets you bring the iPhone[®] experience along for the ride.¹ Or plug in your Android Auto[™]-compatible phone as your preferred driving companion.¹



TRIM LEVELS & PACKAGES

QX55 LUXE

VISIBILITY

- Auto Folding Outside Mirrors with Electric Fold & Adjust, Gloss Black Color, Side Turn, Heater
- Interior Rear View Mirror W/ Auto Dimming
- Front Led Headlamp W/ Auto Levelizer, DRL, Auto Levelizer, Follow Me Home
- Front And Rear LED Fog Lamp
- Rear Screen Wiper
- Wiper With Variable Intermittent With Speed Sensitive

INTERIOR

- 7-inch Tft Meter
- Leather Steering Wheel W/ Manual Tilt & Telesco & Paddle Shifters
- Steering Function With Audio, Bluetooth, Vr, Meter, Asl, Icc
- Shift Knob With Paddle Shift
- Electrical Park Brake W/ Auto Hold
- Door Lock Switch (Driver + As + Rear) W/O Speed Sensing
- Infiniti Intelligent Key
- Driver: 8-Way Power Adjustable Seats , 4-Way Power Lumber W/ Seat Back Pocket
- Passenger: 8-Way Power Adjustable Seats W/ Seat Back Pocket
- 2nd Row Seats: 6:4 W/ Manual Slide/Fold/Recline (Fold Lever In Lug), Arm Rest
- Front Seats - Heated
- Leather Seats
- Base Ambient Lighting
- Dark Spin Brushed Aluminum Trim
- Kicking Plate
- Roof Lining: Cloth In Black
- Cup Holder*4 (Center Console*2, Rear Armrest*2)
- Power Outlet 12v Socket*2 (C-Cluster, Luggage)
- 2 Zone Full Auto A/C With Fr&Rr Vent Shut Func

AUDIO & NAVIGATION

- Infiniti Intouch™ P-IVI
- Dual Display Hd Screens - Upper 8" And Lower 7"
- Smartphone Integration** (Apple Carplay® And Android Auto™)
- Wireless Charger***
- 6 Speakers
- Audio System 1cd/DVD, AM/FM, DAB*, Speed Sens Vol, USB*5

EXTERIOR

- Sunroof
- Rear Power Back Door
- Front Grill & Bumper: Sport Type
- Rear Bumper: Standard Type, Body Color
- Roof Rail In Gloss Black
- Without Mud Guard (Front/Rear)
- Exhaust Tail Pipe With Chrome Finisher
- Front Fender Emblem Without 2.0t
- Rear Emblem Right Side W/ AWD Badge
- Rear Apron In Body Colour

PERFORMANCE

- Standard Suspension
- Standard Brake
- Idle Engine Stop System
- Active Noise Control (ANC) & Active Sound Creator (ASC)

WHEELS & TIRES

- 20-Inch Dark-Painted Aluminium-Alloy Wheel Machine Finished Face
- Tire Size 255/45R20 Summer Runflat

SAFETY

- Driver Airbag (Dual Stage Type) & Knee Air Bag
- Passenger Airbag (Ods & Dual Stage Type) & Knee Airbag
- Front Side Airbag, Curtain Airbag
- Driver Seat Belt 3points Elr, Load Limiter W/ Pretensioner
- Passenger Seat Belt 3 Points Elr, Load Limiter W/ Pretensioner
- Rear Seats Belt Rh&Lh: 3points Elr, CTR: 3 Points ELR
- Child Anchors With Iso Fix, Tether
- ABS & EBD
- Brake Assistance
- Traction Control System (TCS)
- Vehicle Dynamic Control System (VDC) And Hill Start Assist (HSA)
- Adjustable Speed Limiter
- Intelligent Cruise Control® W/ Distance Control Assist
- Forward Collision Warning
- Forward Emergency Braking With Pedestrian Detection¹⁶
- Predictive Forward Collision Warning¹⁷
- Lane Departure Warning
- Lane Departure Prevention
- Blind Spot Warning⁷
- Blind Spot Intervention⁷
- Rear Cross Traffic Alert²⁰
- Rear Automatic Emergency Braking
- High Beam Assist
- Parking Sensor Front & Rear
- Rear View Monitor
- Tire Pressure Monitoring System²¹ (Tpms)

Package: **1**

QX55 SENSORY

Includes all QX55 Essential standard features, plus:

INTERIOR

- Driver: 8-Way Memory & Power Adjustable Seats, 4-Way Power Lumber W/ Seat Back Pocket
- Passenger: 8-Way Power Adjustable Seats, 4-Way Power Lumber W/ Seat Back Pocket
- Front Seats - Climate Controlled With Rear Heated Seats
- Semi-Aniline Leather Seats
- Enhanced Ambient Lighting
- Dark Open Pore Oak Wood Trim
- 3 Zone Full Auto A/C With Fr&Rr Vent Shut Func, Auto Recirculation With Ionizer
- Anti-Allergen Deodorizing Fine Particle Filter

AUDIO & NAVIGATION

- Bose® Series 16 Speakers (UAE 15 Speakers + 1 E-Call Speaker)
- Audio System Bose, 1CD/DVD, AM/FM, Dab*, Speed Sens Vol, USB*5

EXTERIOR

- Rear Power Back Door W/ Handsfree Auto Close Function

PERFORMANCE

- Direct Adaptive Steering (DAS)

Package: **1 2**

QX55 ESSENTIAL

Includes all QX55 LUXE standard features, plus:

VISIBILITY

- Auto Folding Outside Mirrors With Electric Fold & Adjust, Gloss Black Color, Side Turn, Heater, Reverse Sync, Memory
- Front Led Headlamp W/ Cube Design, Auto Light, Drl, Auto Levelizer, Follow Me Home
- Adaptive Front Lighting System
- Wiper With Variable Intermittent With Speed Sensitive & Rain Sensitive

INTERIOR

- Leather Steering Wheel W/ Electric Tilt & Telesco, Memory, Heater & Paddle Shifters
- Front Seats - Climate Controlled

AUDIO & NAVIGATION

- Infiniti Intouch™ P-IVI Navigation System With 3D Maps & Voice Recognition

SAFETY

- Remote Engine Start
- Head-Up Display
- Parking Sensor Front & Rear *4
- Around View® Monitor With Moving Object Detection³ (MOD)

Package: **1 2**

PACKAGES

1 PROACTIVE PACKAGE

- Intelligent Cruise Control⁶ W/ Distance Control Assist
- Forward Collision Warning
- Forward Emergency Braking With Pedestrian Detection¹⁶
- Predictive Forward Collision Warning
- Lane Departure Warning & Prevention¹⁸
- Blind Spot Warning & Intervention
- Rear Cross Traffic Alert²⁰
- Rear Automatic Emergency Braking
- High Beam Assist
- Head Up Display
- Direct Adaptive Steering

2 VISIBILITY PACKAGE

- Cube Design Led Headlamp
- Adaptive Lighting System



Crossover Coupe Roofline



Power Liftgate Button



1 GRILLE – DARK METALLIC GREY MESH WITH BLACK SURROUND (WITH CAMERA)

^ **EXTERIOR** Embrace style without pretense. Leading with individuality, the grille enhanced by a Dark Metallic Grey Mesh with Black Surround (with or without a camera) complements the standout looks of the QX55.



2 CARGO MAT - REVERSIBLE 3 TRUNK NET 4 CARGO ORGANIZER





AN ACCESSORY FOR EVERY INDIVIDUAL

For those comfortable exuding their own style and acting on any opportunity, you can do more of each with Genuine INFINITI Accessories. We ensure that each one is designed and manufactured to integrate seamlessly with your vehicle and provide a custom fit and finish.



1 TABLET HOLDER 2 CARPETED FLOOR MATS
3 ALL-SEASON FLOOR MATS

^ INTERIOR No matter the journey, be sure to keep your rear passengers entertained with the INFINITI Tablet Holder. Out in the elements? Embrace your adventurous nature with All-Season Floor Mats that collect dirt and sand, preserving your interior footwells.

ADDITIONAL ACCESSORIES TO CONSIDER:

- Trunk Net
- Cargo Mat - Reversible
- All Seasons Floor Mats
- Carpeted Floor Mats
- Black Grille
- Tablet Holder
- Cargo Organizer



^ THE FINEST DETAILS

No compromise means no effort spared. Outside, LED headlights with a prism-like cube design reveal more depending on the angle you view them from. Inside, Natural Maple Wood trim perfectly complements a dynamic interior.



GO WITHOUT COMPROMISE THE DEFINITIVE QX55 SENSORY

Insist on what you really want. The QX55 SENSORY is the pinnacle of INFINITI style and real-world ingenuity. You'll make a statement with the provocative Monaco Red interior, exclusive to this trim, while you're supported in the meticulously crafted semi-aniline leather-appointed seats. Extend your style further with Dark Open Pore Oak Wood and an Advanced Climate Control System²⁴ that automatically adapts to exterior air quality to keep the cabin fresh. Plus, open the Motion Activated Liftgate without even using your hands. QX55: what's yours is here for the taking.

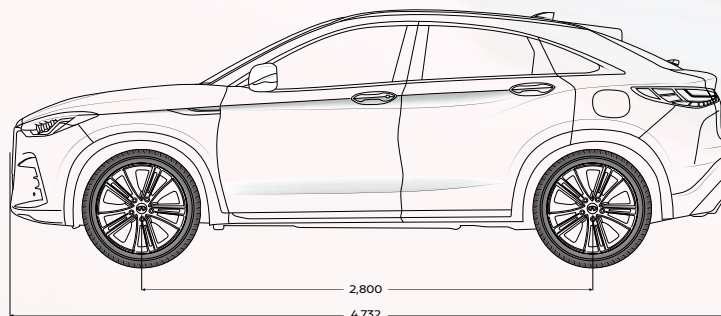
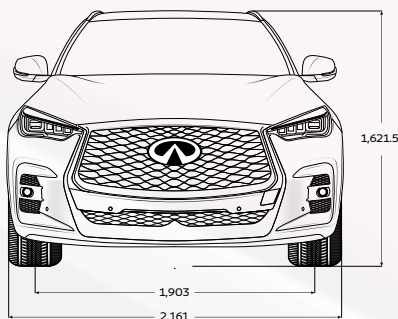
TECHNICAL SPECS

ENGINE	
Cylinders	4
Power	268-hp at 5,600 rpm
Torque	380 Nm at (4,400 - 4,800) rpm
Driven Wheels	Intelligent All-Wheel Drive (AWD)

HANDLING	
Steering type (LUXE and ESSENTIAL/Sensory)	Rack-and-pinion power-assisted (Electrical) / Direct Adaptive Steering® (DAS)
Turning diameter (wall to wall) (m)	11.8

DIMENSIONS	
Coefficient of drag	0.35
Fuel Capacity (L)	60
Luggage Volume (L)	761.7
Track width (Front and Rear) (mm)	1,625/1,620
Ground Clearance (mm)	218.9

See [infiniti-me.com](https://www.infiniti-me.com) for complete list of specifications.



All dimensions are measured in mm.

1 Available feature shown. Use feature only when safe and legal. Compatible device and service required. Subject to third party service availability. For more information see <https://www.infiniti-me.com/ownership/faq.html>. 2 World's first production variable compression engine launched by Nissan Motor Co., Ltd. in 2018. 3 Around View® Monitor with Moving Object Detection cannot eliminate blind spots and may not detect every object. Driver should always turn and check surroundings before driving. See Owner's Manual for safety information. 4 Virtual composite 360° view. 5 ProACTIVE Package cannot prevent collisions. It is the driver's responsibility to be in control of the vehicle at all times. See Owner's Manual for safety information. 6 Intelligent Cruise Control uses limited braking and is not a collision avoidance or warning system. Driver should monitor traffic conditions and brake as needed to prevent collisions. See Owner's Manual for safety information. 7 Blind Spot Warning and Blind Spot Intervention cannot prevent all collisions and may not detect every object or warn in all situations. Driver should always turn and look before changing lanes. See Owner's Manual for safety information. 8 Driving is serious business and requires your full attention. If you have to use the connected device while driving, exercise extreme caution at all times so full attention may be given to vehicle operation. 9 Intelligent All-Wheel Drive cannot prevent collisions or provide enhanced traction in all conditions. Always monitor traffic and weather conditions. 10 Cargo and load capacity limited by weight and distribution. Always secure cargo. Heavy loading of the vehicle with cargo, especially on the roof, will affect the handling and stability of the vehicle. 11 Remote Engine Start System to be used only in accordance with any laws or rules in effect in your vehicle's location. 12 Do not ride in a moving vehicle when the seatback is reclined. For the most effective protection, the seat should be upright. See Owner's Manual for safety information. 13 Sonar System may not detect every object. Driver should always check surroundings before driving. See Owner's Manual for safety information. 14 Never program while driving. GPS mapping may not be detailed in all areas or reflect current road status. 15 Vehicle must be on for the Easy-Fill Tire Alert to operate. 16 Forward Emergency Braking with Pedestrian Detection cannot prevent all collisions and may not provide warning or braking in all conditions. Driver should monitor traffic conditions and brake as needed to prevent collisions. See Owner's Manual for safety information. 17 Predictive Forward Collision Warning cannot prevent collisions. See Owner's Manual for safety information. 18 Lane Departure Warning and Lane Departure Prevention only operate when lane markings are detectable. See Owner's Manual for safety information. 19 Rear Automatic Braking cannot prevent all collisions and may not provide warning or braking in all conditions. Driver should always turn and check surroundings before driving and brake as needed to prevent collisions. See Owner's Manual for safety information. 20 Rear Cross Traffic Alert may not detect all vehicles. See Owner's Manual for safety information. 21 Tire Pressure Monitoring System is not a substitute for regular tire pressure checks. See Owner's Manual for safety information. 22 Air bags are only a supplemental restraint system. Always wear your seat belt. Rear-facing child restraints should not be placed in the front-passenger's seat. All children 12 and under should ride in the rear seat properly secured in child restraints, booster seats, or seat belts according to their size. Air bags will only inflate in certain accidents. See Owner's Manual for safety information. 23 The Advanced Climate Control System with Plasmacluster air purifier helps scrub the air in the vehicle's interior. The system can sense exterior odors, can suppress unpleasant interior odors, can stop the inflow of external odors and helps keep the cabin smelling fresh, but does not always eliminate odors. 24 Do not use for extended periods of time. See Owner's Manual for important safety information. 25 Late availability. 26 Compatible smartphone required. Virtual Key to be used only in accordance with laws or rules in effect in your vehicle's location. Actual maximum distance for operation will vary depending on obstructions between compatible device and vehicle. 27 Yakima accessories are not genuine INFINITI parts/accessories. Not warranted by INFINITI. Refer to product manufacturer for warranty details. INFINITI limited warranty does not cover damages or failures to the vehicle caused by improper installation or alterations of any INFINITI approved accessory or component. Contact your retailer for details. 28 2023 QX55 EPA Fuel Economy Estimates 22 City/28 Highway/25 Combined. Actual mileage may vary with driving conditions. Use for comparison only. Android® and Android Auto™ are trademarks of Google LLC. Apple CarPlay®, iPhone® and Siri® are registered trademarks of Apple Inc. All rights reserved. iPhone® or other external device not included. Bluetooth® is a registered trademark of Bluetooth SIG, Inc. Bose® is a registered trademark of The Bose Corporation. HD Radio® is a registered trademark of iBiquity Digital Corporation.

STAY CONNECTED

VISIT US ONLINE TO CREATE YOUR IDEAL INFINITI

www.INFINITI-me.com

<https://www.infiniti-me.com/cars/all-models/qx55/configurator.html>

JOIN OUR COMMUNITY AND GET THE LATEST INFO

 [Facebook.com/INFINITImiddleeast](https://www.facebook.com/INFINITImiddleeast)



[Instagram.com/INFINITImiddleeast](https://www.instagram.com/INFINITImiddleeast)



[Twitter.com/INFINITImiddleeast](https://www.twitter.com/INFINITImiddleeast)

